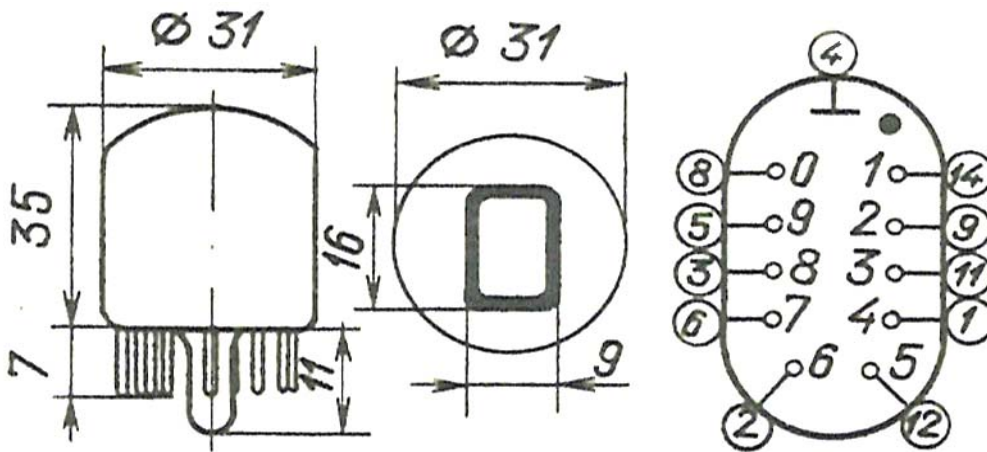


## NIXIE TUBES IN-4 Electrical parameters :

Displays digits 0-9	
Brightness	$\geq 90 \text{ cd/m}^2$
Angle of visibility	$\approx 60 \text{ deg}$
Power supply voltage	$\geq 200 \text{ V}$
Discharge appearance voltage	$\leq 170 \text{ V}$
Discharge voltage:	$> 150 \text{ V}$
DC current for digits 0-9	$I < 2.5 \text{ mA}$
Life time	$> 1000 \text{ hours}$

### Pin layout and tube dimensions:



\*please note that all dimensions shown above are in millimeters.

Pins are counted clockwise from the bottom (pins side) view.

Pins are counted from the left pin close to noticeable big gap between pins

Pin description	Pin number
Anode/grid	4
Cathode Digit 1	14
Cathode Digit 2	9
Cathode Digit 3	11
Cathode Digit 4	1
Cathode Digit 5	12
Cathode Digit 6	2
Cathode Digit 7	6
Cathode Digit 8	3
Cathode Digit 9	5
Cathode Digit 0	8

Warning!  
Do not solder or bend  
tube's pins, as it could  
destroy your tube..

Usefull links:

[www.kosbo.com](http://www.kosbo.com)

Always something new and unique