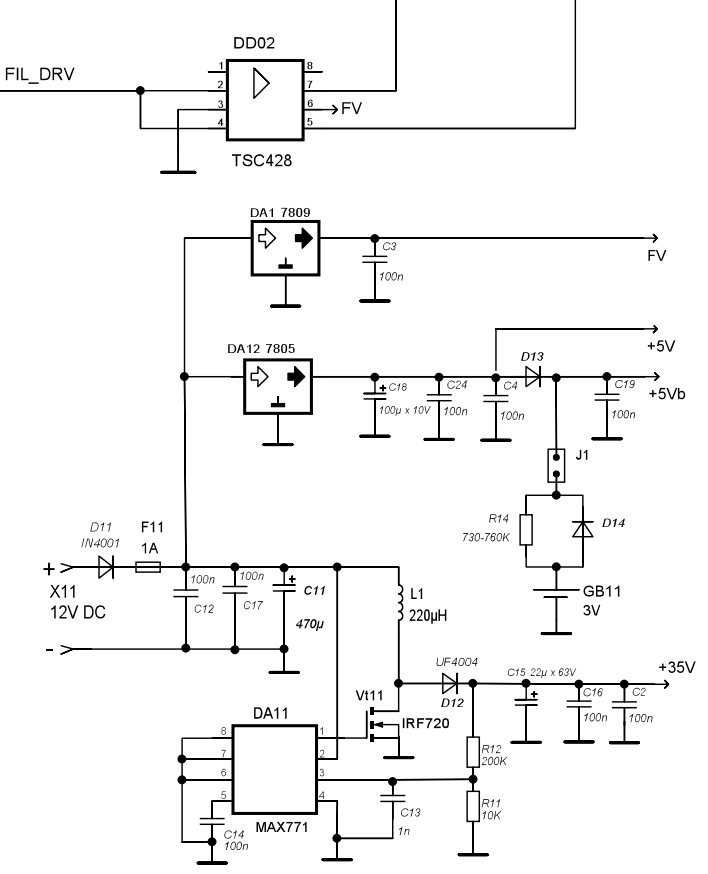
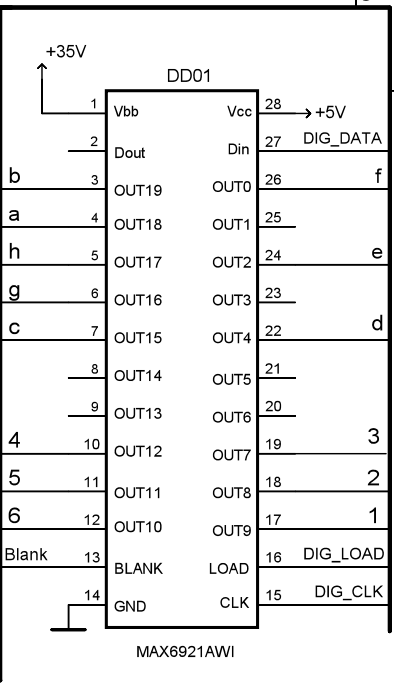


Description	#
Ext. Alarm 1	1
Ext. AI.2 / TF	2
GND	3
I/O 1	4
Vcc +5V	5

Description	#
ICSP Data	1
ICSP Clock	2
ICSP /MCLR	3
ICSP GND	4
ICSP Vcc	5



www.kosbo.com/iv11clock

HW release 02, June 2009

* Components nmarket with optional are optional and have not included in standard clock kit, but available on request