

IN-18 BIG Nixie Clock serial interface connection

For Rs232 serial interface cable connection, please:

Connect cable to Pin3 - Ground Contact

Connect cable to Pin4 - Clock's RX for Rs232 serial port connection

Connect cable to Pin5 - Clock's TX for Rs232 serial port connection

Make sure that four 1uFx50V capacitors and ST232(MAX232) chip are soldered on the board

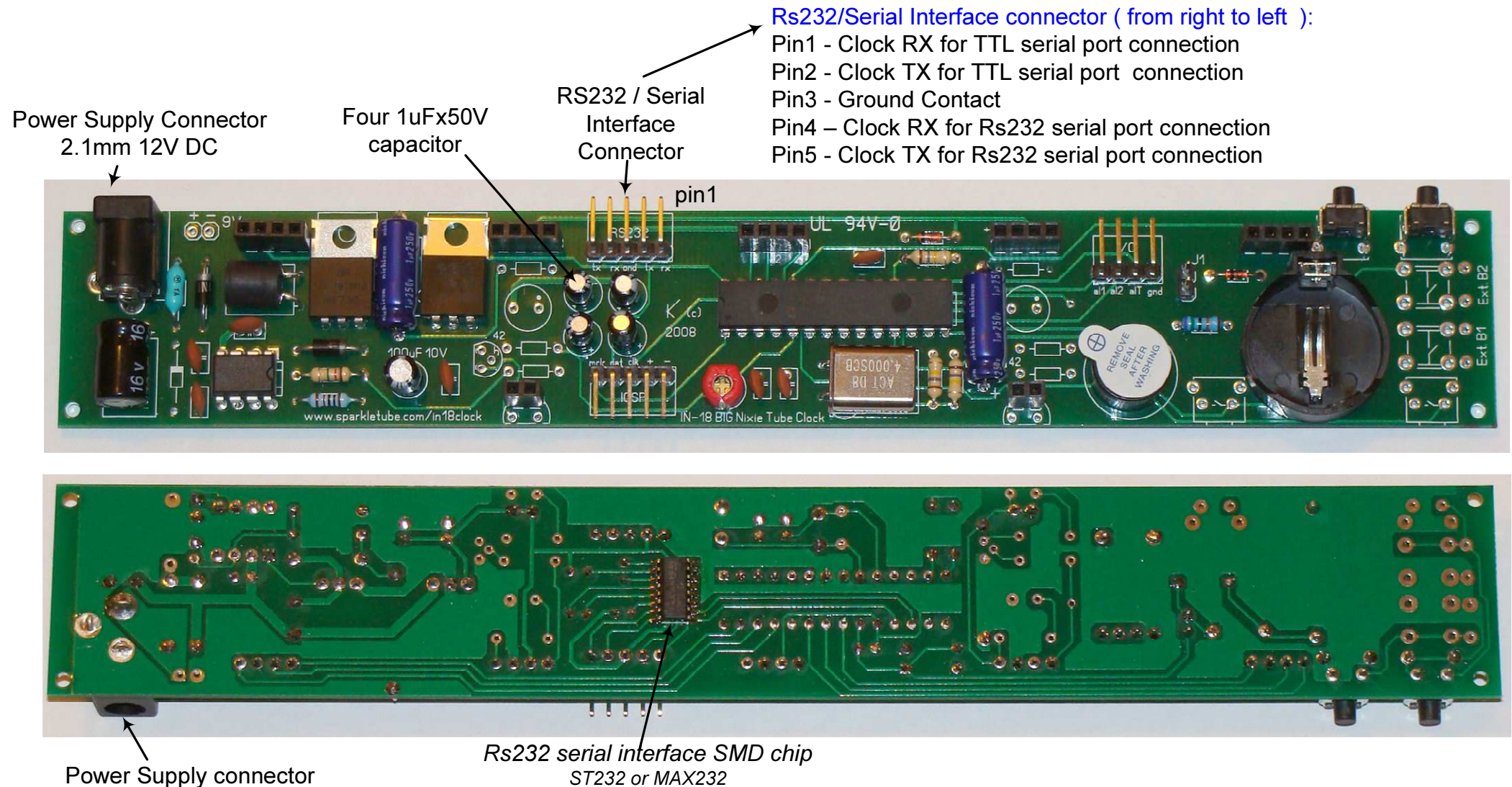
For USBtoTTL serial interface cable connection, please:

Connect cable to Pin1 - Clock RX for TTL serial port connection

Connect cable to Pin2 - Clock TX for TTL serial port connection

Connect cable to Pin3 - Ground Contact

Make sure that four 1uFx50V capacitors and ST232(MAX232) chip are REMOVED from the board



Rs232/Serial Interface connector (from right to left):

Pin1 - Clock RX for TTL serial port connection

Pin2 - Clock TX for TTL serial port connection

Pin3 - Ground Contact

Pin4 - Clock RX for Rs232 serial port connection

Pin5 - Clock TX for Rs232 serial port connection