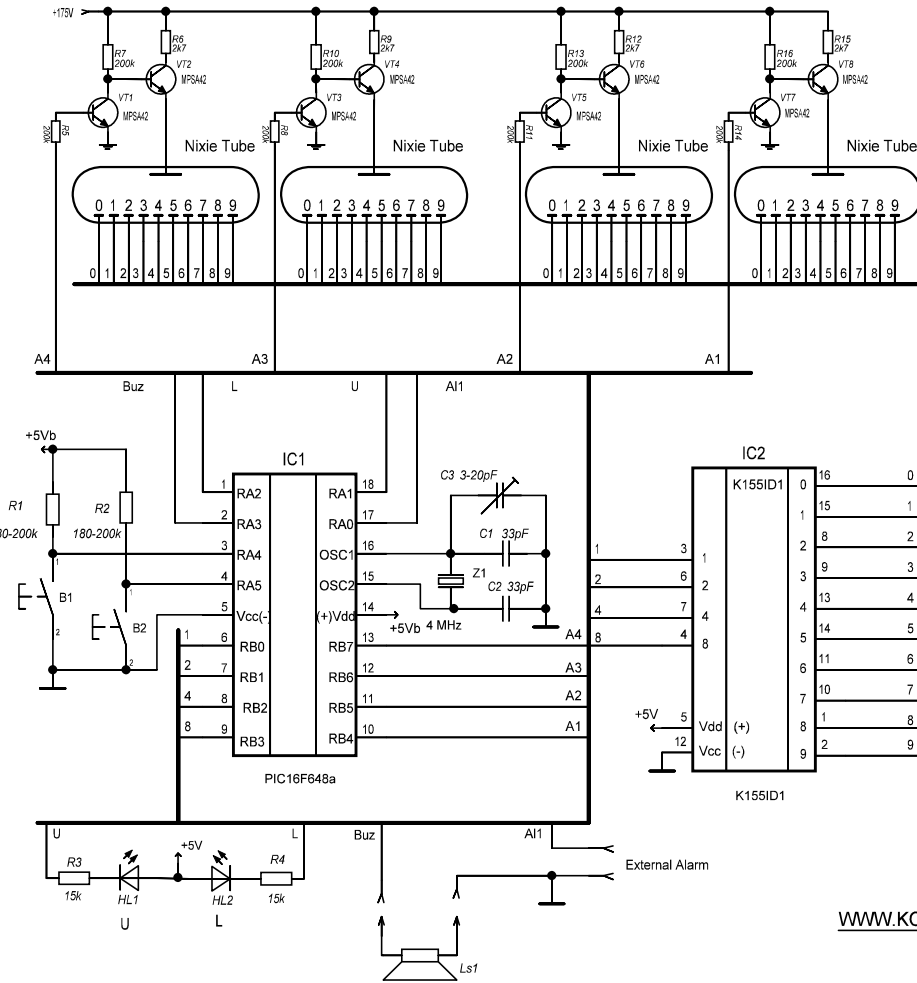
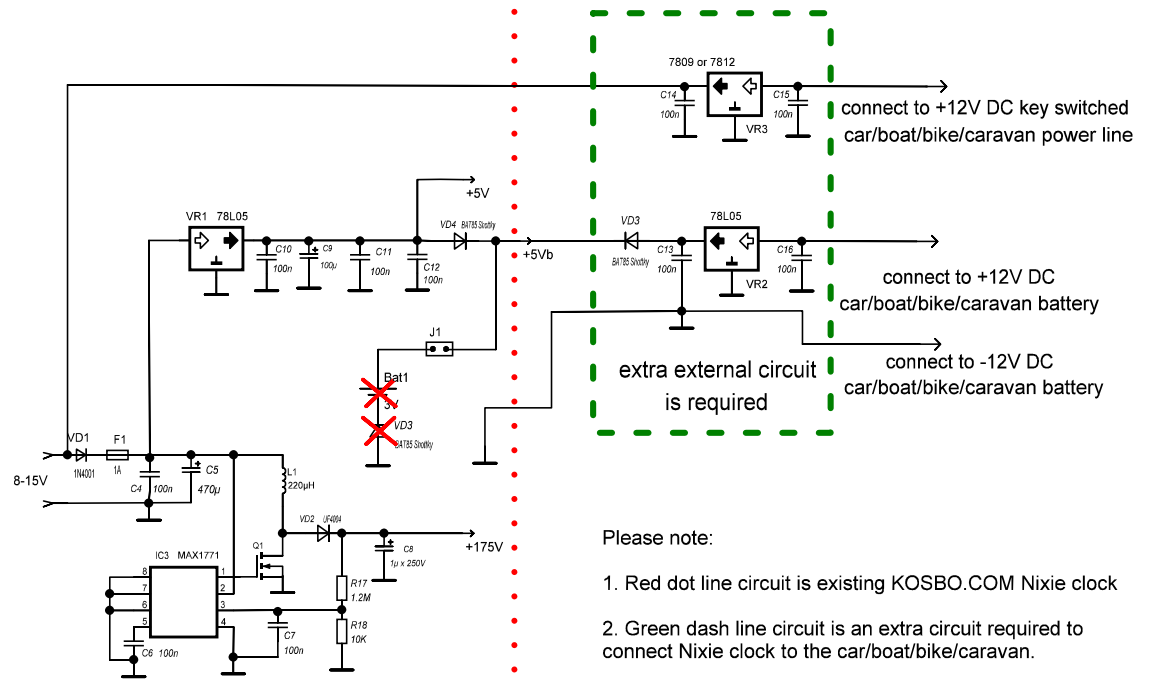


# How to connect your Nixie clock to the car/boat/bike/caravan



WWW.KOSBO.COM 2010(c)

## KOSBP.COM 4 digits IN-17 Nixie clock



Please note:

1. Red dot line circuit is existing KOSBO.COM Nixie clock
2. Green dash line circuit is an extra circuit required to connect Nixie clock to the car/boat/bike/caravan.
3. Red crossed components on the clock board are not required and can be removed or left on the board ONLY WHEN JUMPER1 (J1) IS OPEN.
4. VD3 diode is BAT85 shottky diode, but any other low power diode can be used
5. The same extra circuit and connections are required for any other KOSBO.COM Nixie or VFD Clocks if you would like it to connect to the car/boat/bike/caravan.