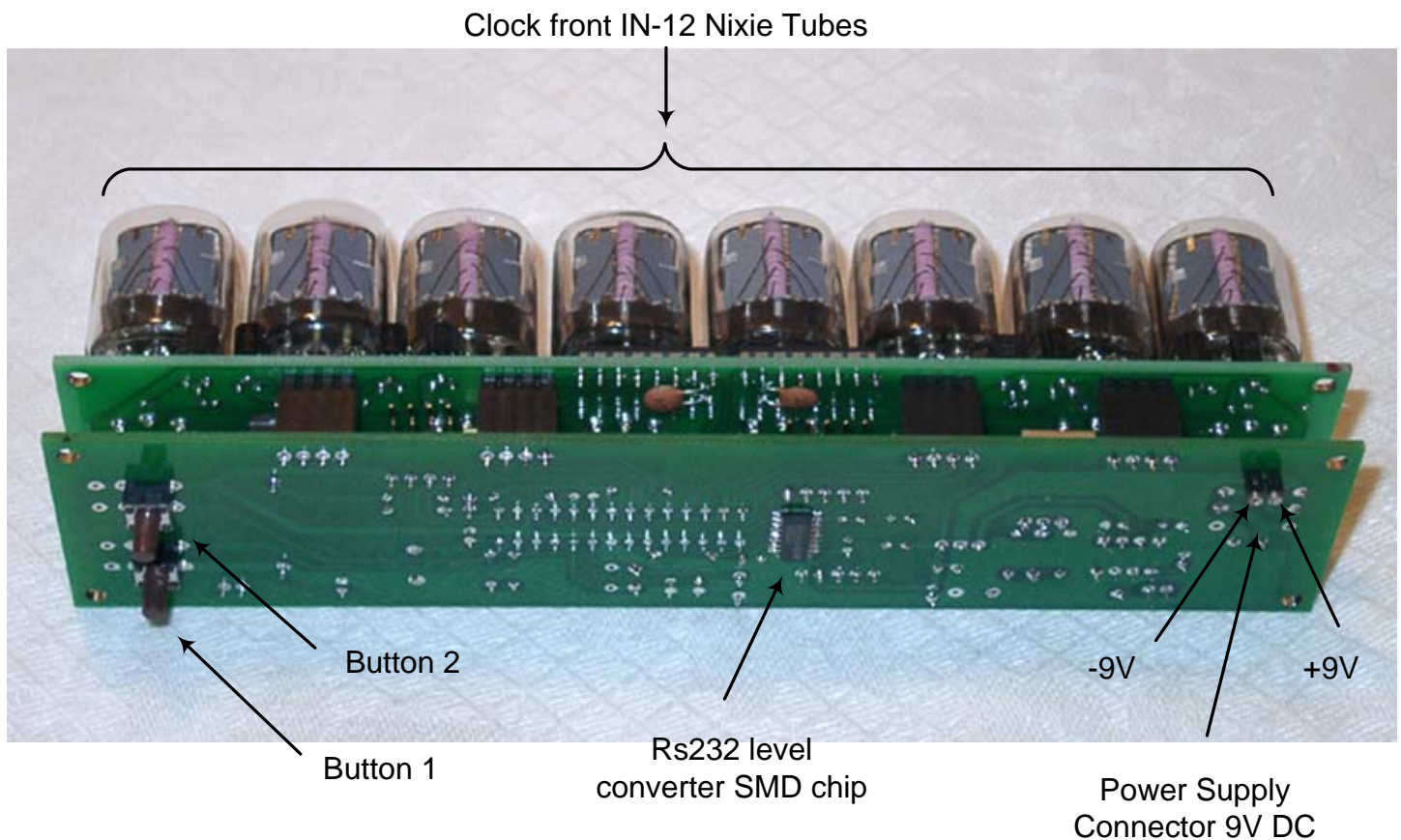
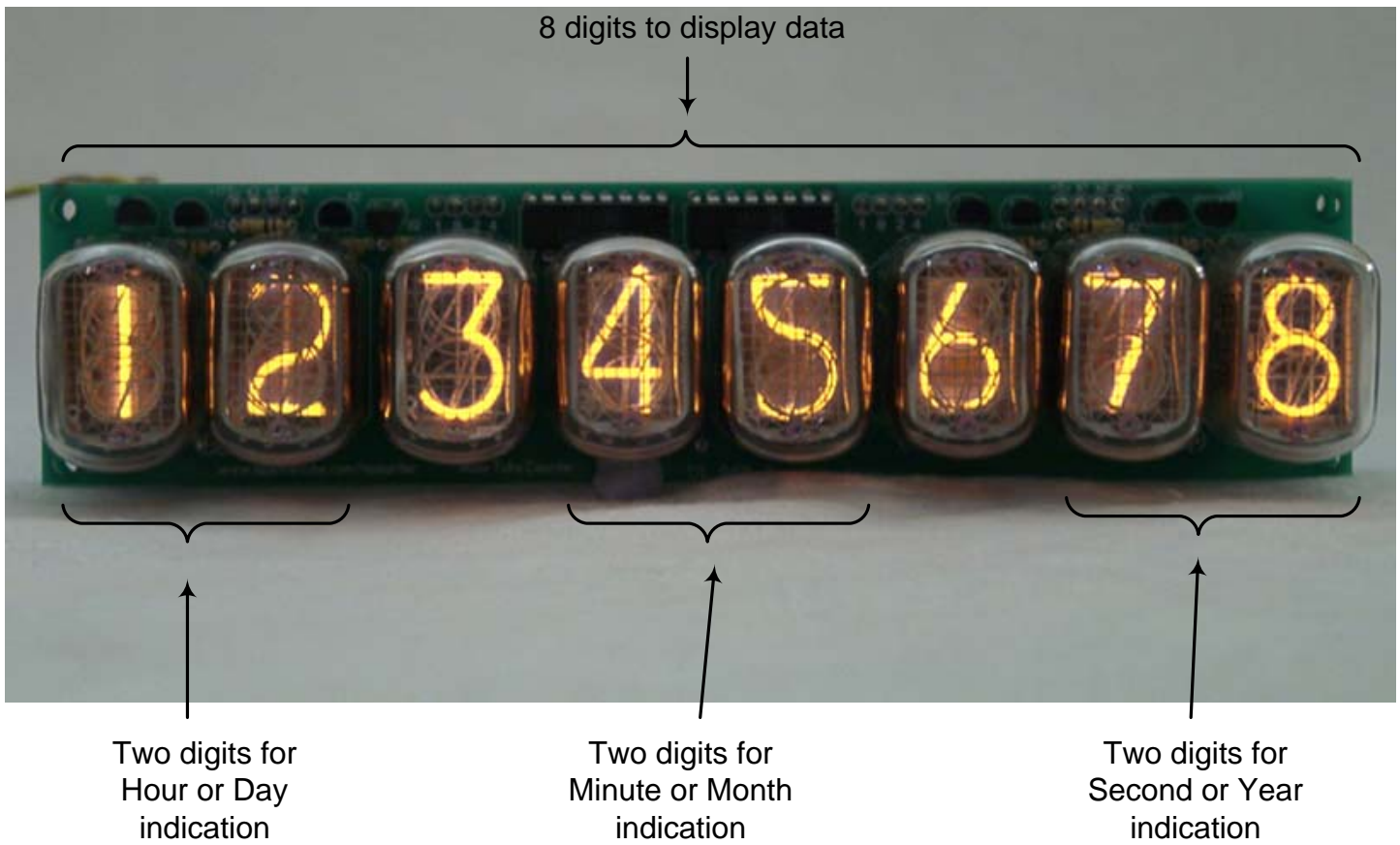
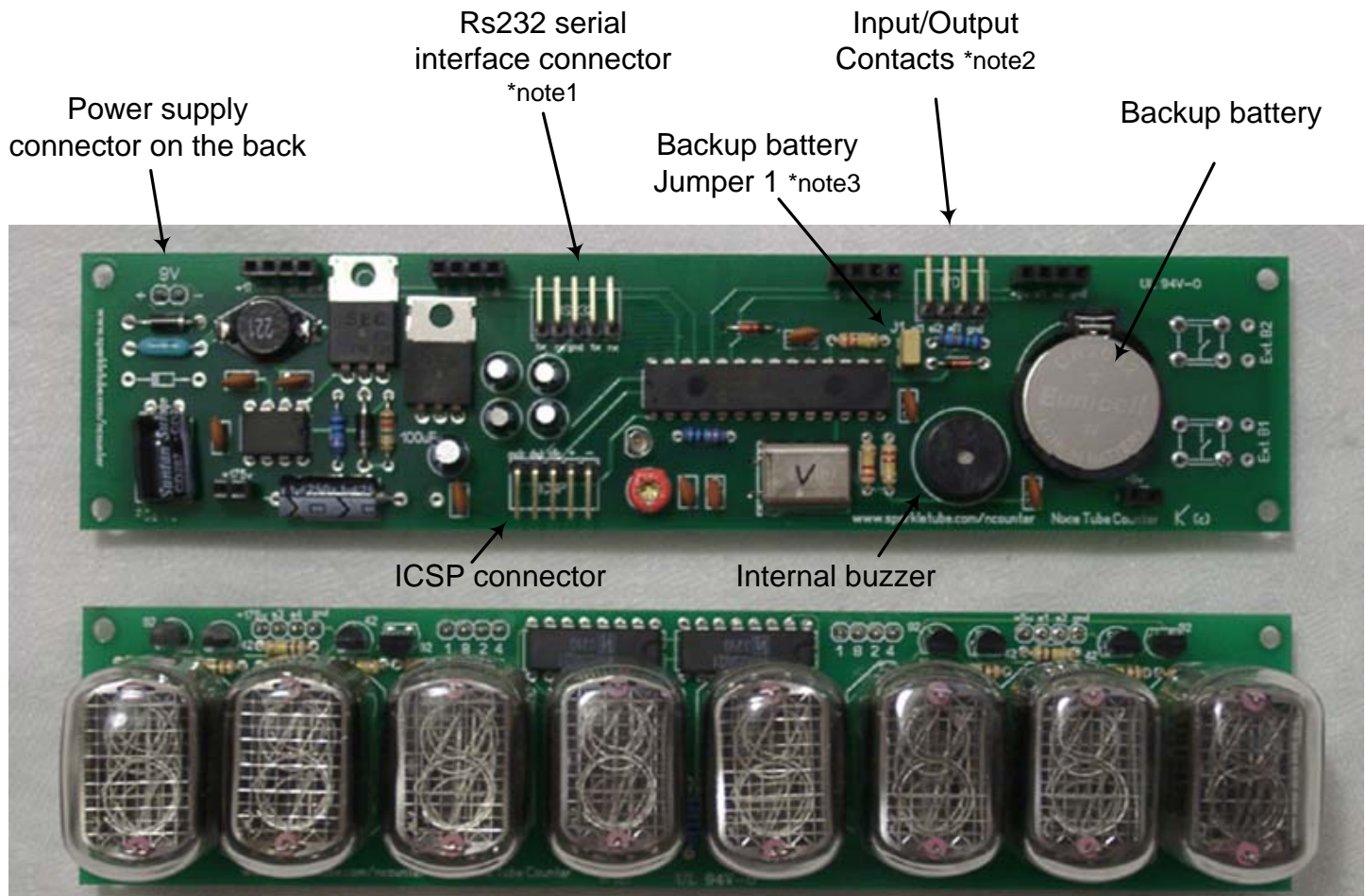


IN-12 Nixie Clock/Counter Layout Diagram



IN-12 Nixie Clock/Counter Layout Diagram



Note 1.

Rs232 serial interface connector, 5 pins from the left as shown on the above picture:

- Pin1- Clock/Counter TX for PC proper serial port connection
- Pin2 - Clock/Counter RX for PC proper serial port connection
- Pin3 – Ground Contact for PC connection another device connection
- Pin4 - Clock/Counter TX for another device TTL level connection
- Pin5 - Clock/Counter RX for another device TTL level connection

Note 2.

Input/otpute connector, 4 pins from the left as shown on the above picture:

- Pin1- Clock/Counter Alarm 1 external TTL level output
- Pin2 - Clock/Counter Alarm 2 external TTL level output
- Pin3 – Clock/Counter test frequency TTL level output
- Pin4 - Ground Contact

Note 3.

Put Jumper 1 on to activate Battery backup protection.

To reset the Clock, disconnect it from the Main and remove jumper